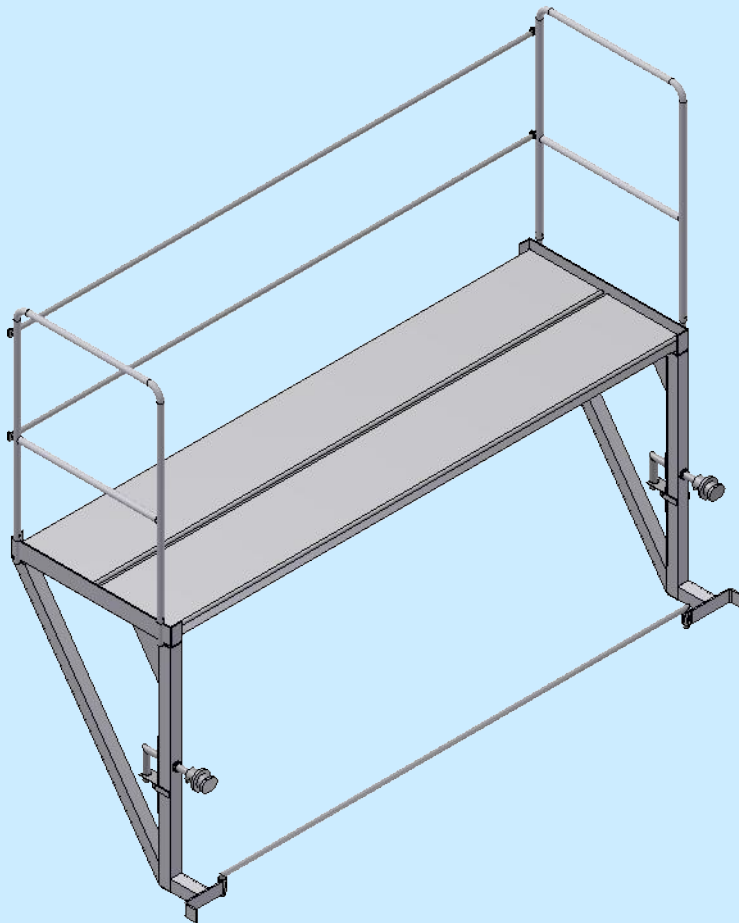


# **RICHTER HANSEN**

## **Marine Equipment**

### **”Reefer Platform”**

**For safe access to container reefer units under on-board conditions**



**For safe and comfortable work area the Richter Hansen Reefer platform is  
a excellent choice - Easy to use and easy to handle**

# RICHTER HANSEN



## User guide for Reefer platform

### Installation Recommendations:

- It is the user's responsibility to determine a safe sequential installation procedure.
- Ensure the hanging platform is securely fastened to any temporary lifting equipment that may be used during installation.
- Confirm that the anchor pins are securely fastened and the stiffening bar installed correctly before the platform is put into use.
- Provide secure dependable access to the platform by use of stair or ramp. Access may not contribute loading to platform or otherwise impede platforms functionality. It is recommended that a slope of 60°-70° is provided for access.

### Safety Recommendations:

- Platform may not be occupied while fastened to any temporary lifting equipment that may be used during installation.
- Under **NO** circumstance may shields and/or railing be removed or altered.
- Use of the platform shall stop immediately if installation of the platform is determined to be faulty or insufficient.
- Safety helmets shall always be worn during installation and use.
- Special attention should be paid to small loose parts on the platform that present a risk of stumbling/tripping and a potentially fatal fall.
- It is recommended to use safety belt or similar equipment while operating on the platform.
- The maximum load on the platform may not exceed **250 kg (550 lbs)**